



JX2-1

Order-picking Truck 0.7t

Compact design medium level order picker for both box picking and pallet operating;
Dual lifting system, wider operating view

EP EQUIPMENT CO.,LTD
www.ep-ep.com

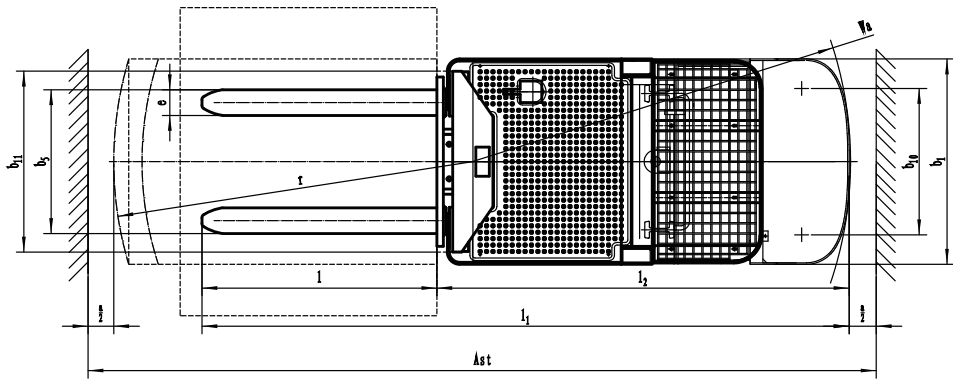
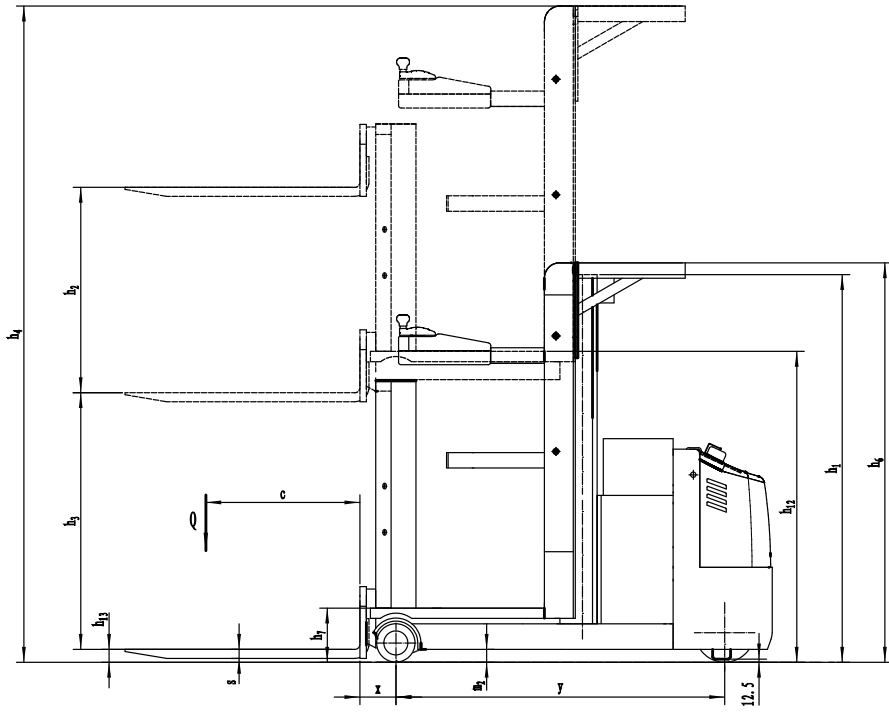


Order-picking Truck 0.7t JX2-1

Distinguishing mark				
1.1	Manufacturer			EP
1.2	Model designation			JX2-1
1.3	Drive unit			Electrical
1.4	Operator type			standing
1.5	rated capacity	Q	kg	700
1.6	Load center distance	c	mm	600
1.8	Load distance, centre of drive axle to fork	x	mm	140
1.9	Wheelbase	y	mm	1280
Weight				
2.1	Service weight (include battery)		kg	1620
2.2	Axle loading, laden driving side/loading side		kg	520/1800
2.3	Axle loading, unladen driving side/loading side		kg	920/700
Types,Chassis				
3.1	Tyre type, Driving wheels/Loading wheels			PU/PU
3.2	Tyre size, driving wheels (Diameter×Width)		mm	Φ230×75
3.3	Tyre size, loading wheels (Diameter×Width)		mm	Φ150×90
3.4	Tyre size, caster wheels (diameter×width)		mm	Φ74×48
3.5	Wheels, number driving, caster/loading (x=drive wheels)		mm	1x,2/2
3.6	Track width, front,driving side	b10	mm	570
3.7	Track width,rear,loading side	b11		710
Dimensions				
4.2	Height, mast lowered	h1	mm	1510
4.4	Lift height	h3	mm	1000
4.5	Height, mast extended	h4	mm	2560
4.7	Height of overhead guard (cabin)	h6	mm	1560
4.8	Seat height/standing height	h7	mm	220
4.14	Stand height, elevated	h12	mm	1220
4.15	Lowered height	h13	mm	63
4.19	Overall length	l1	mm	2520
4.20	Length to face of forks	l2	mm	1605
4.21	Overall width	b1/ b2	mm	800
4.22	Fork dimensions	s/ e/ l	mm	35/100/915
4.25	Outside width of the forks	b5	mm	560
4.26	Fork lift height	h2 + h13	mm	800
4.32	Ground clearance, center of wheelbase	m2	mm	50
4.34.1	Aisle width for pallets 1000 × 1200 crossways	Ast	mm	2950
4.34.2	Aisle width for pallets 800 × 1200 lengthways	Ast	mm	3070
4.35	Turning radius	Wa	mm	1470
4.41	Total lift	h2 + h3+ h13	mm	1800
Performance data				
5.1	Travel speed, laden/unladen (h12: 0-370)		km/ h	8
	Travel speed, laden/unladen (h12: 370-MAX)		km/ h	3.7
5.1.1	Travel speed, laden/unladen,backwards (h12: 0-370)		km/ h	8
	Travel speed, laden/unladen,backwards (h12: 370-MAX)		km/ h	3.7
5.2	Lifting speed, laden/ unladen		m/ s	0.13/0.16
5.3	Lowering speed, laden/ unladen)		m/ s	0.16/0.18
5.8	Max. gradeability, laden/unladen		%	0
5.10	Service brake type			Electromagnetic
Electric-engine				
6.1	Drive motor rating S2 60 min		kW	2.5
6.2	Lift motor rating at S3 15%		kW	3
6.3	The maximum allowed size battery		mm	740×275×630
6.4	Battery voltage/nominal capacity K5		V/ Ah	24V/360Ah
6.5	Battery weight		kg	330
Addition data				
8.1	Type of drive unit			AC
10.5	Steering type			Electronic
10.7	Sound pressure level at the driver's ear		dB (A)	75

1.The parameters in the table are of the standard model. For more information please contact us.

2.The parameters are subject to change without notice.



$$A_{st} = W + r + a$$

$$a = 200$$